

CABLE 318 RF: RF CABLE ASSEMBLY, I-PEX MHF 4L PLUG + SMA JACK BULKHEAD JACK + 1.13MM CABLE - 6GHz

SPECIFICATIONS:

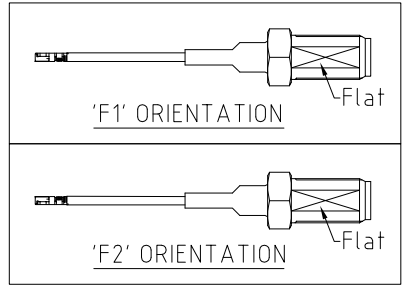
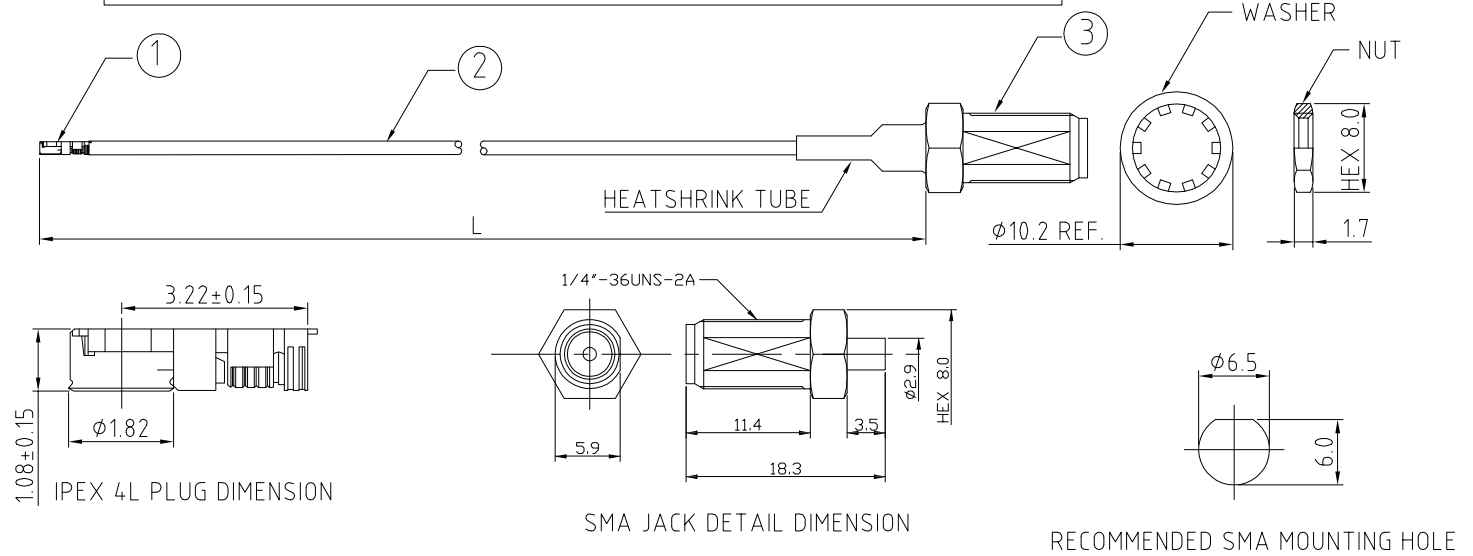
1. I-PEX MHF 4L PLUG (20565-001R-13)
2. ϕ 1.13MM COAXIAL CABLE, COLOR: BLACK
3. SMA ST BULKHEAD JACK (RFCT-SMA047-F13), GOLD

NOTES:

1. THE ORIENTATION OF CONNECTORS ON DRAWING IS FOR REFERENCE ONLY, IF THE ORDER IS LEFT BLANK THE CONNECTOR WILL NOT HAVE FIXED ORIENTATION.
2. FIXED ORIENTATION IS SUGGESTED FOR CABLE LENGTH 25MM TO 100MM. PLEASE SPECIFY THE FIXED ORIENTATIONS FROM THE ORDER CODE (F1, F2, ETC)
3. CONTACT GRAD CONN IF THE ORIENTATION YOU REQUIRE IS NOT SHOWN.
4. WORKING FREQUENCY RANGE: DC-6GHz.
5. OPERATING TEMPERATURE: -40°C TO +90°C
6. IMPEDANCE: 50 OHM

USAGE PRECAUTIONS: CABLES USING 'MICRO' COAX ARE DELICATE:

- (i) HANDLE WITH CARE.
- (ii) DO NOT TWIST; APPLY EXCESSIVE FORCES OR SHARP BENDS TO THE CABLE. DO NOT FORCEFULLY DEFORM WIRES.
- (iii) CONSULT CONNECTOR MANUFACTURER'S DATASHEETS FOR DETAILED NOTES ON HANDLING INSTRUCTIONS.



HOW TO ORDER

CABLE 318 RF - X X X - X X - X - X HEATSHRINK TUBE COLOR OPTIONS:

"L" LENGTH IN MM
 eg: 100MM = 100
 (MIN. = 025, MAX. = 400)
 STANDARD = 100, 150, 200)
 Tolerance: <50mm : ±2mm.
 51-200mm: ±5mm.
 201-400mm: ±7mm.

HEATSHRINK TUBE COLOR OPTIONS:
 BLANK = BLACK (STANDARD)
 Y = YELLOW
 WASHER AND NUT OPTIONS:
 BLANK = SEPERATELY PACKED (STANDARD)
 A = ASSEMBLED WITH CONNECTOR

BLANK = DOES NOT HAVE A FIXED ORIENTATION
 F1 = MHF CONNECTION DOWN (L=25-220MM)
 F2 = MHF CONNECTION UP (L=25-220MM)
 (SEE NOTES 1, 2, 3 AND DIAGRAMS FOR MORE INFORMATION)

REV. DATE & DRN
 10 23/07/18 - NYW RELEASE
 11 21/08/19 - NYW
 ADD TUBE COLOR OPTIONS
 12 26/03/21 - NYW
 DRAWING MODIFICATION

Scale: NTS	THIRD ANGLE	Unstated X .XX .XXX ANGLES	Tolerances: N/A N/A N/A N/A	Material SEE NOTE
Drawn: NYW				
App'd: XXX	Title: CABLE ASSEMBLY	NOT TO SCALE		
Date: 26 MAR. '21	Revision: 1.2	Unit: mm		

© THIS DRAWING IS CONFIDENTIAL AND MUST NOT BE COPIED OR DISCLOSED WITHOUT WRITTEN CONSENT

Type: Cable 318 RF
CABLE 318 RF
Drawing Number:
Sheet 1 of 1
Drawing C E and O E